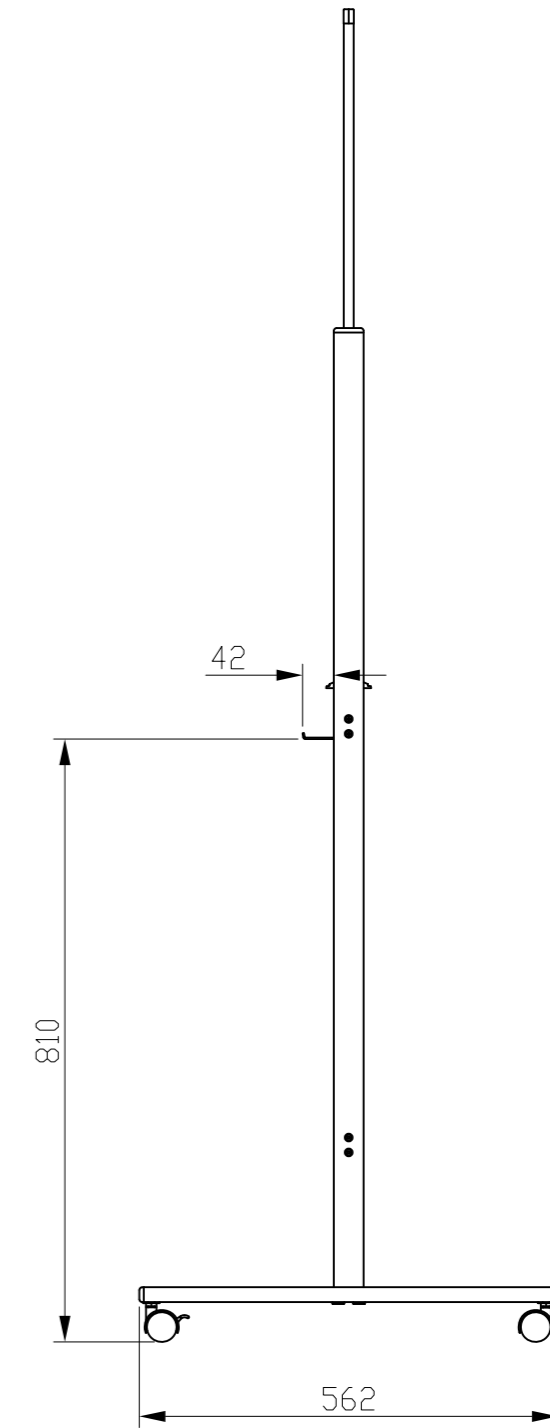
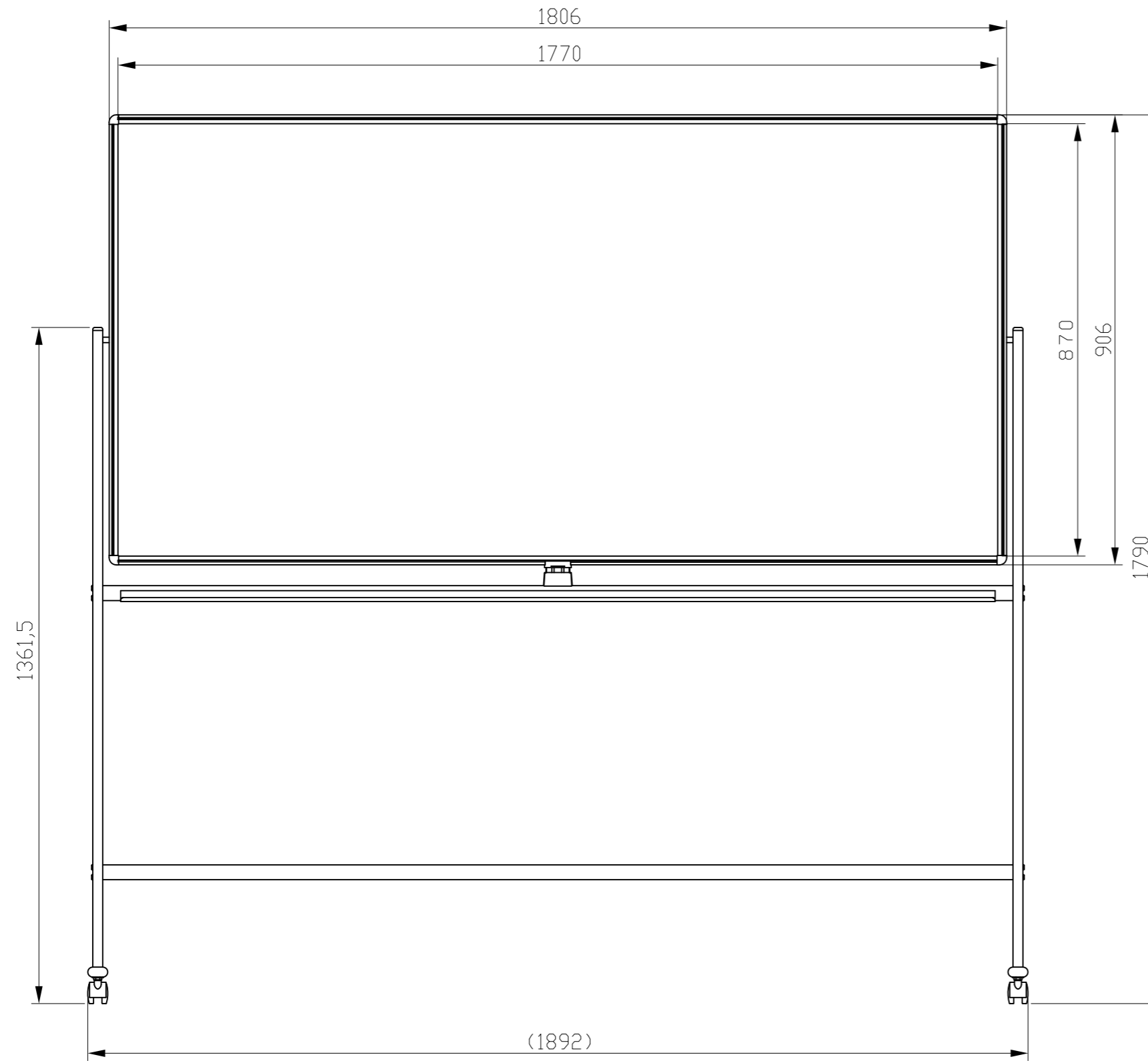


538-033 PWT2-1809DSPT



PLUS Corporation