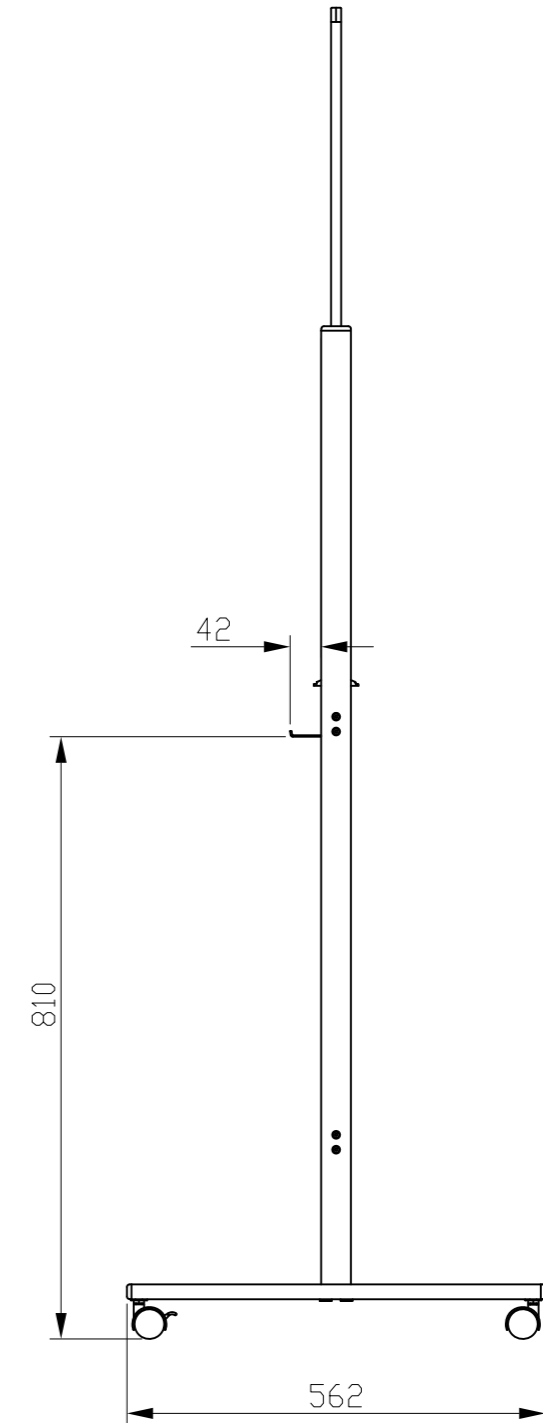
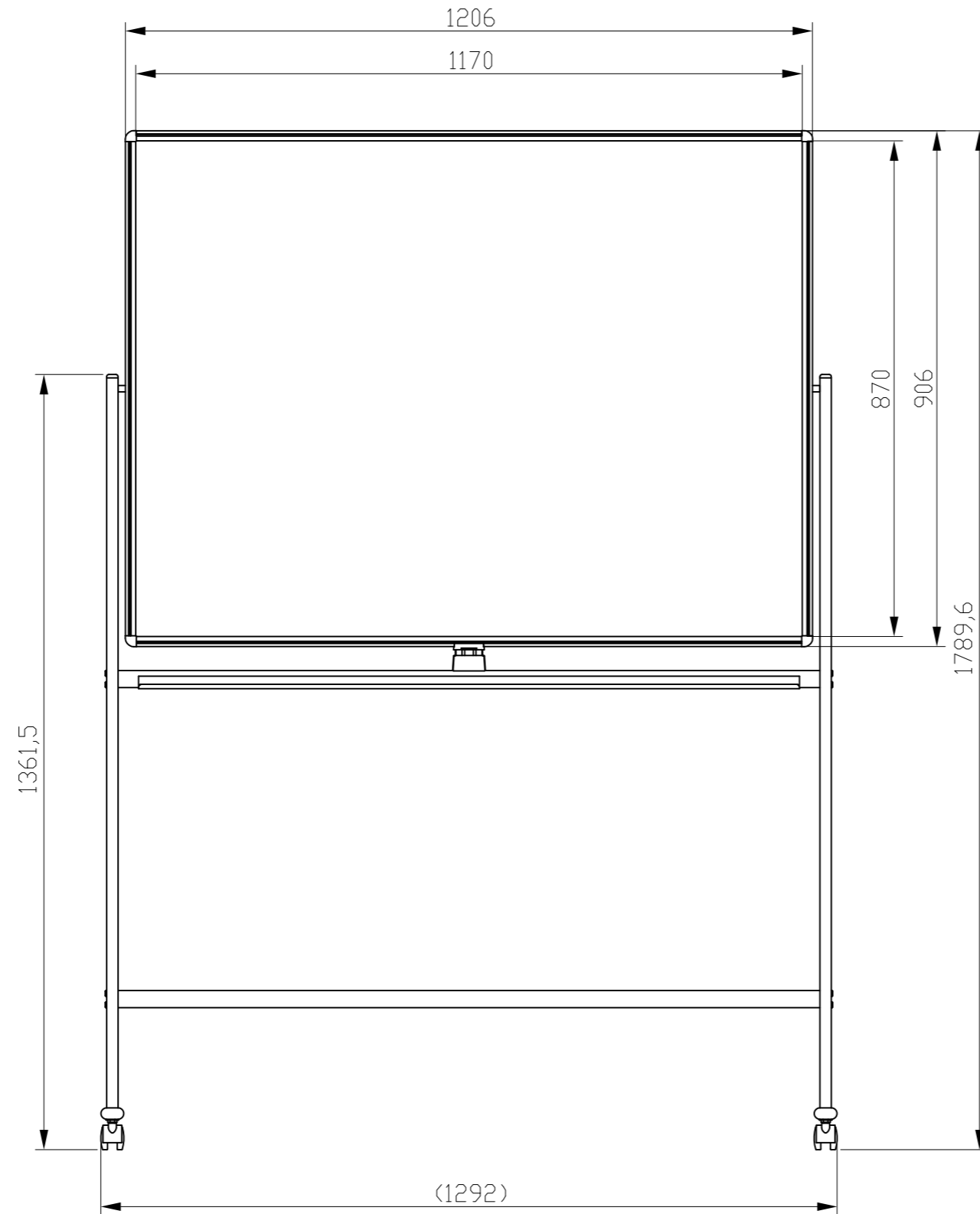


538-036 PWT2-1209PSPT



PLUS Corporation